

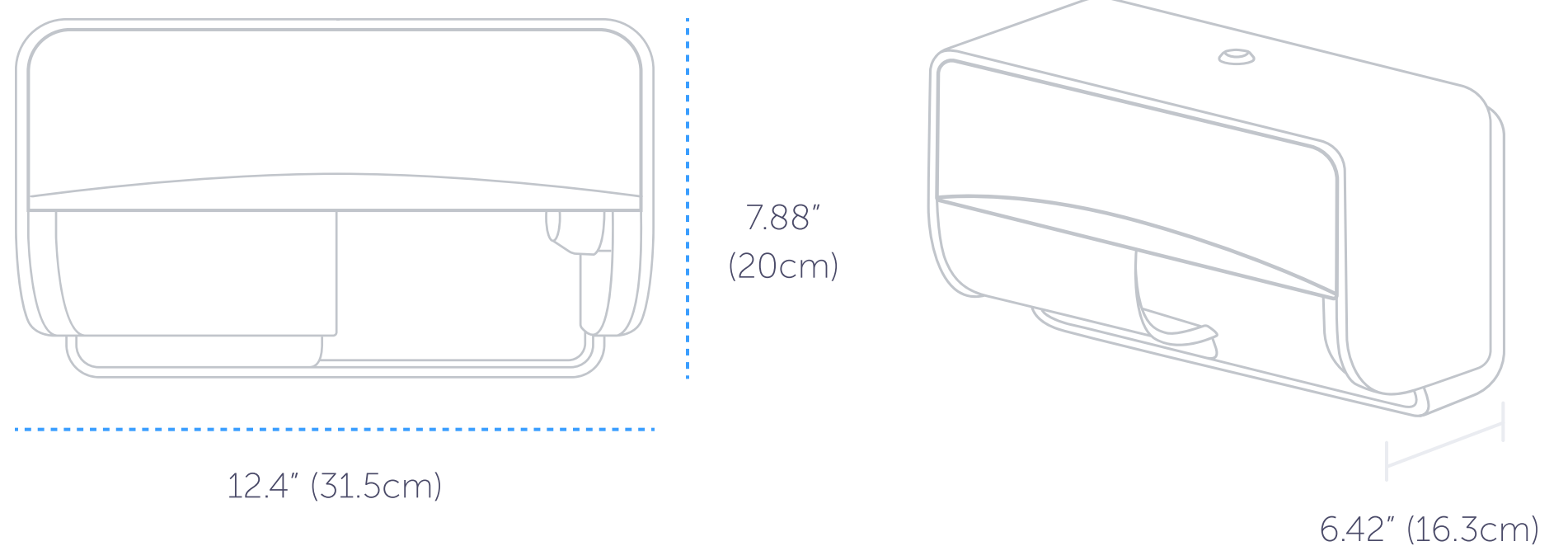


OVERVIEW

ICON™ Standard Roll Toilet Paper Dispenser 2-Roll Horizontal

Take the restroom to the next level in hygiene. Dispensers are engineered to minimize waste and make servicing faster and more infrequent with uncompromising style.

Dimensions (WxHxD)	Qty/Case
12.4" x 7.88" x 6.42" 31.5cm x 20cm x 16.3cm	1x



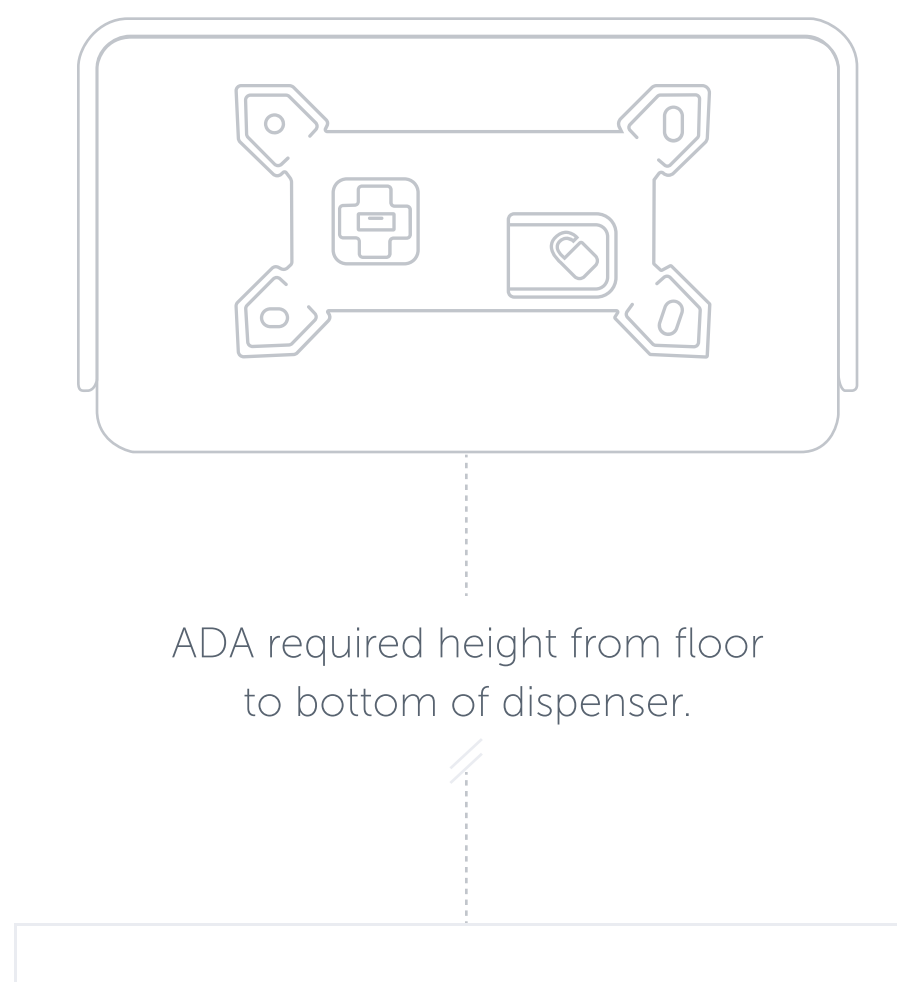
TECHNICAL SPECIFICATIONS

Align bracket to local ADA required* distance from floor + 1 4/5" (4.5 cm). This will ensure the bottom of the dispenser is at the correct ADA required* height.

When installed properly and used with the corresponding product, this dispenser meets ADA Standard 28 CFR Part 36, local rules may vary.

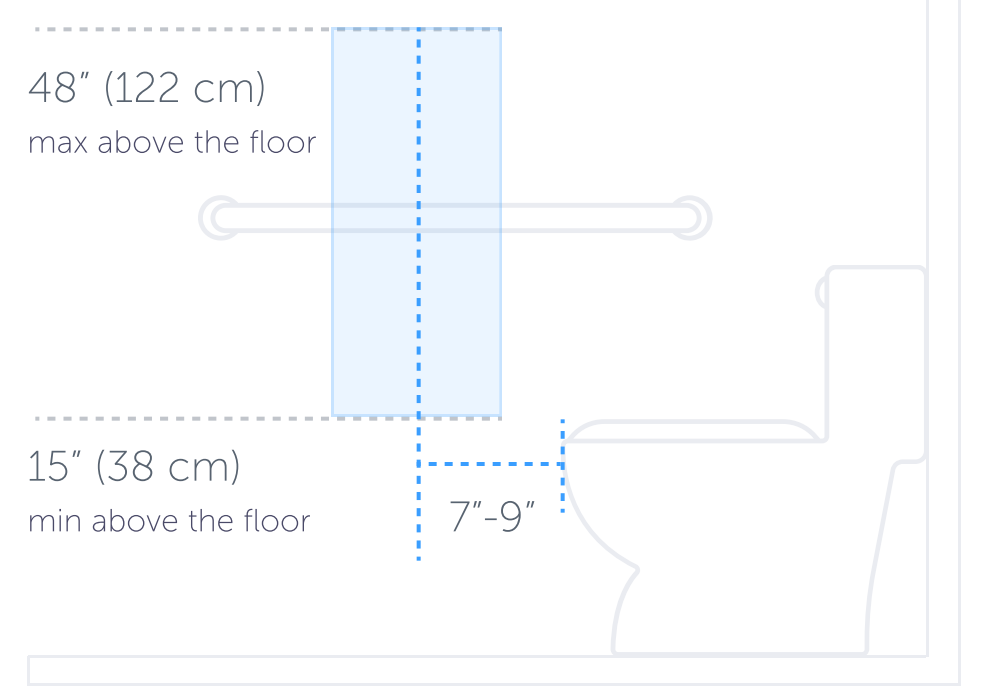
Ensure the required clearance space is free of obstructions for proper dispenser installation.

- ADA Compliant * ✓
- Lifetime Warranty † ✓



MOUNTING REQUIREMENTS

Mount the toilet paper dispensers to be 7 inches (180 mm) minimum and 9 inches (230 mm) maximum in front of the toilet measured to the center line of the dispenser.



*Check for regional & local installing/ mounting requirements.

PRODUCT FEATURES

- Sleek and stylish yet suited for high-traffic restrooms with variable toilet paper roll options
- Engineered with increased accessibility for a smooth, controlled opening experience that makes refilling a snap
- Simplified installation process with custom engineered mounting brackets, a built-in level and clip-on mounting

DISPENSER PRODUCT CODES

- Black Mosaic (58722)
- White Mosaic (58712)
- Cherry Blossom (58732)
- Silver Mosaic (53698)
- Ebony Woodgrain (58752)
- Warm Marble (58742)