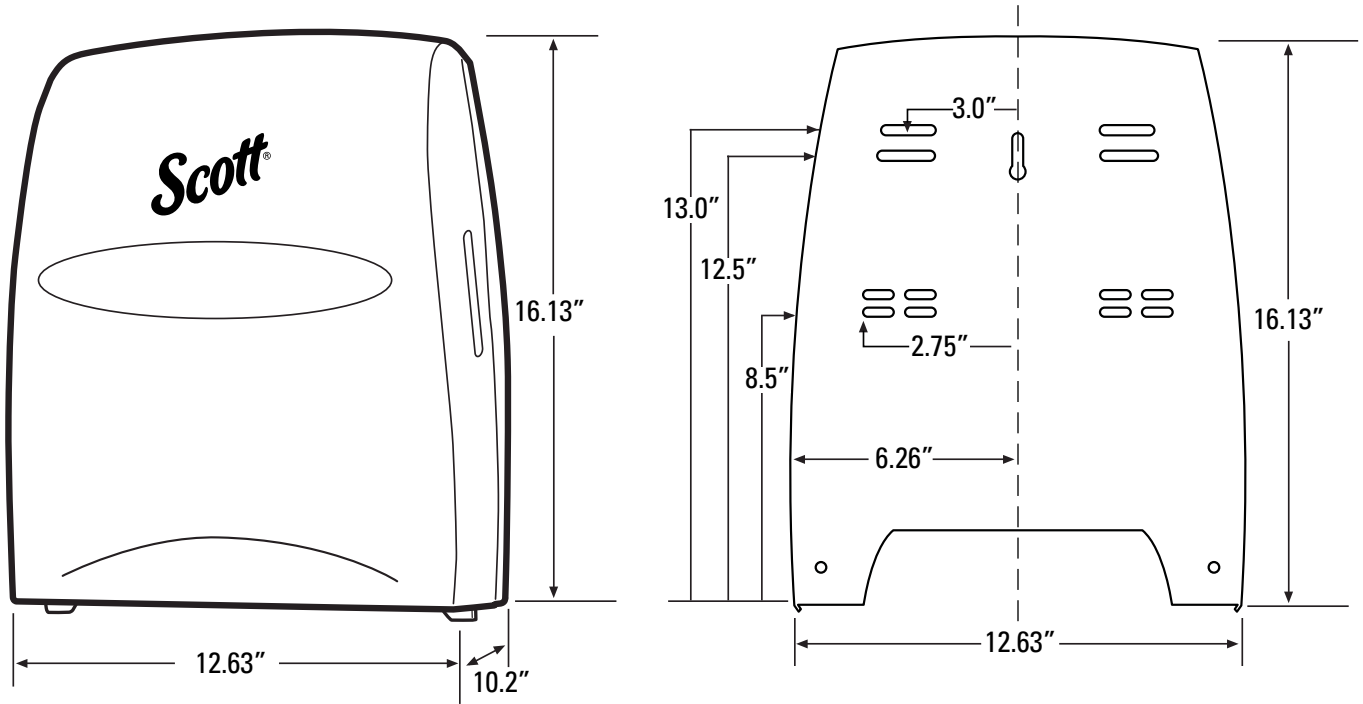


Scott® Essential Manual Hard Roll Towel Dispenser



- Made of ABS plastic
- Choice of white with clear window or black with translucent window
- Dispenses one 8" diameter, 950' roll towel
- Dispenser advances and cuts a nominal 12" of towel when activated by pulling exposed towel
- Includes emergency feed knob
- Choice of key-activated spring lock or push-button operation
- One per case

Product Codes:

46254

White,
Purple Core

46253

Black,
Purple Core

Suggested mounting height is 48" from the floor or 12" above a counter to the bottom of the dispenser.

When installed properly and used with the corresponding product, this dispenser meets ADA Standard 28 CFR Part 36, local rules may vary.