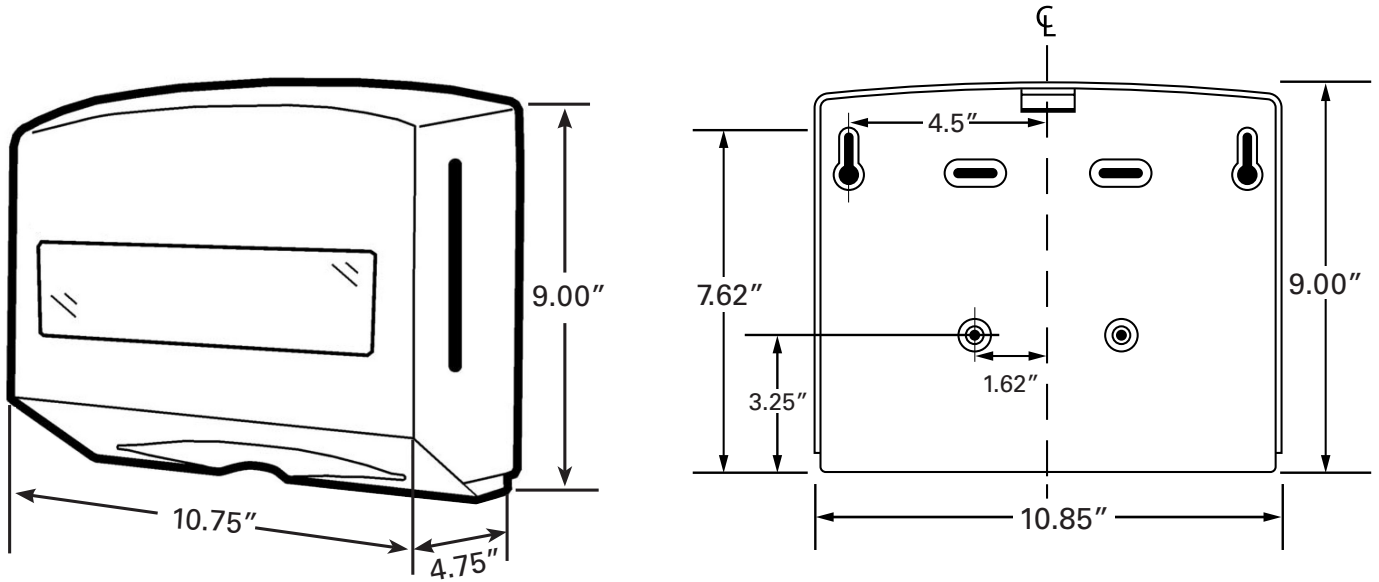


Scott® and Universal Folded Towel Dispenser



- Choice of ABS plastic or Stainless Steel with view windows located on both sides to allow for easy checking of towel level
- Accommodates multiple clips of towels to help reduce maintenance
- Features include compact size to fit in tight spaces, key-activated spring lock or push-button operation and a hinged front cover

- Overfill mechanism to minimize tears and tabs from dispenser being overfilled
- Hardware included for mounting
- One per case

Product Codes:

09214 White Fits 7.8" or 8.0" width towel	09215 Black Fits 7.8" or 8.0" width towel	09216 Stainless Steel, Fits 7.8" or 8.0" width towel	09217 Universal, White, Fits 7.8"-9.4" width towel
---	---	--	--

Suggested mounting height is 48" from the floor or 12" above a counter to the bottom of the dispenser.

When installed properly and used with the corresponding product, this dispenser meets ADA Standard 28 CFR Part 36, local rules may vary.