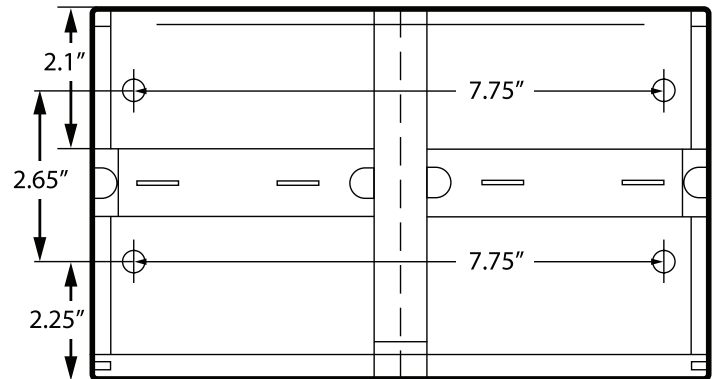
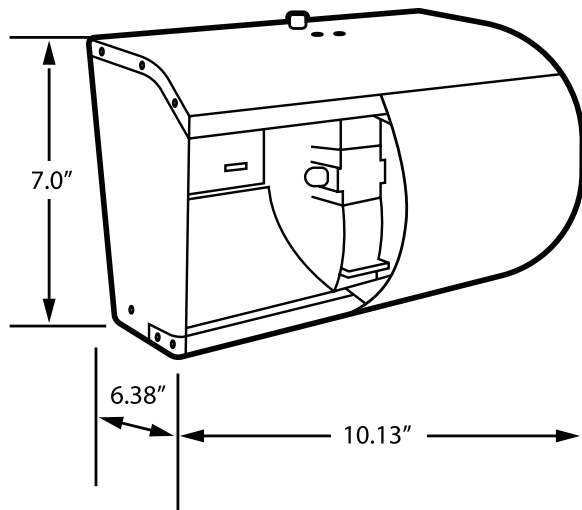


# Scott® Pro Coreless Standard Roll Bathroom Tissue Dispenser



- 304 brushed stainless steel cover and sliding door with folded edges
- Back and arms made of ABS plastic
- Designed to dispense two full standard rolls
- Cover with sliding door is attached to plastic housing by hinge pins
- Choice of key-activated spring lock or push-button operation
- Hardware included for mounting
- One per case

Product Code:

<b>09606</b> Stainless Steel	<b>51917</b> Onvation, Stainless Steel
---------------------------------	--

Suggested mounting height for the outlet of the dispenser is 15" minimum and 48" maximum above the floor. Distance from the midline of the dispenser to the front of the toilet is 7-9". In the presence of a grab bar rail, mount dispenser so that the outlet is no greater than 12" above the bar, or so that the top of the dispenser is no less than 1.5" below the bar.

When installed properly and used with corresponding product, this dispenser meets ADA Standard 28 CFR Part 36, local rules may vary.