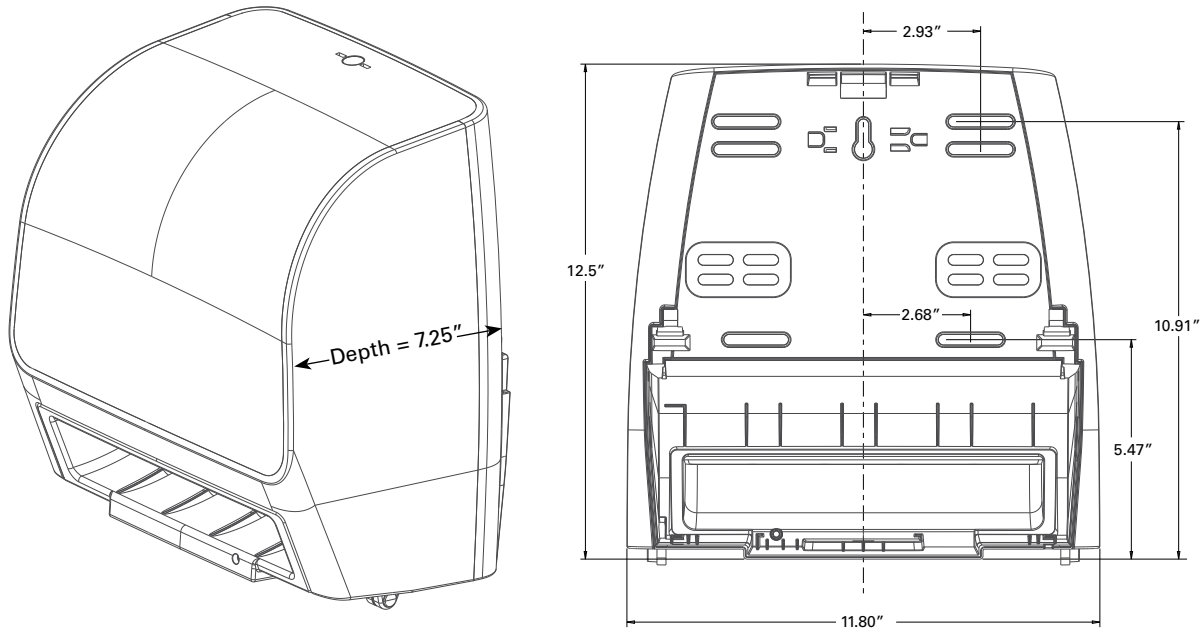


Scott® Control Slimroll Electronic Towel Dispenser



- Made of ABS plastic with smoked translucent sides and an opaque black back
- Dispenses one 8" diameter, 8" wide, 580' roll towel
- Dispenser advances and cuts a nominal 10" of towel when activated by placing hand under unit
- Designed to fit in tight spaces with a slim profile
- Second sheet is dispensed at 10% reduced length when activated within a few seconds of the first dispense
- Quiet dispensing system
- Quick load capability
- Choice of key-activated spring lock or push-button operation
- 4 D-Cell batteries included
- One per case

Product Codes:

47259

White,
Orange Core

47196

Black,
Orange Core

47261

White,
Pink Core

47260

Black,
Pink Core

Suggested mounting height is 48" from the floor or 12" above a counter to the bottom of the dispenser.

When installed properly and used with the corresponding product, this dispenser meets ADA Standard 28 CFR Part 36, local rules may vary.