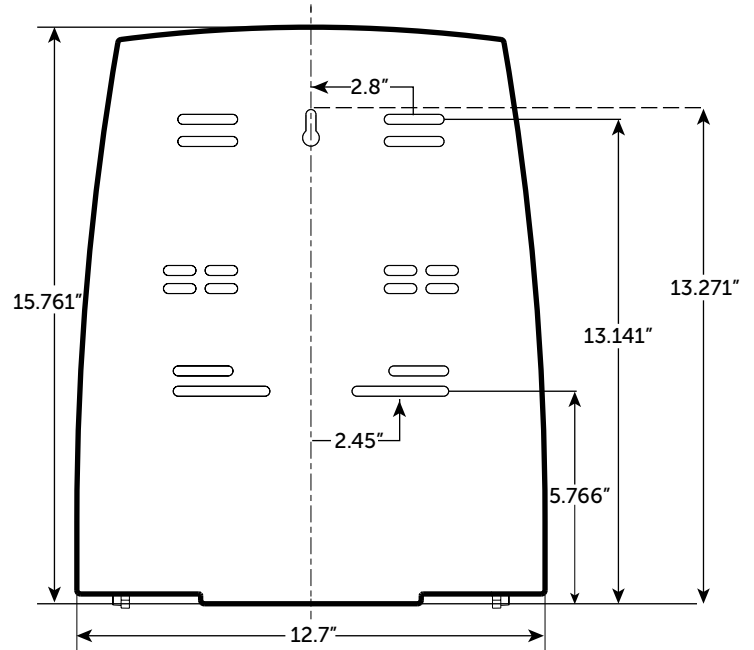
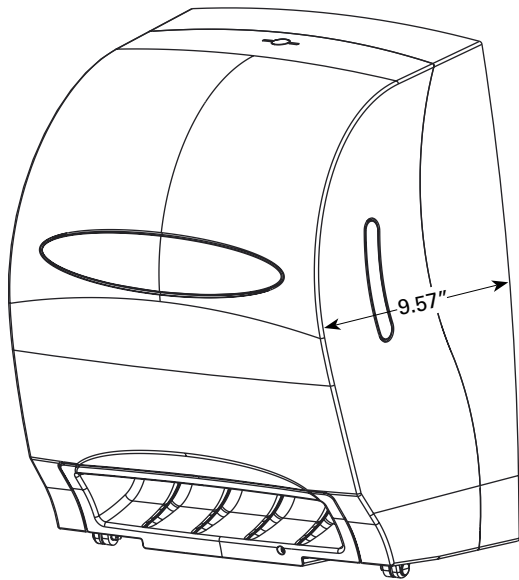


# Scott® Essential Electronic Hard Roll Towel Dispenser



- Made of ABS plastic
- Choice of white with clear window or black with translucent window
- Dispenses one 8" diameter, 950' roll towel
- Dispenser advances and cuts a nominal 11" of towel when activated by placing hand under unit
- No-touch dispensing system helps to minimize the spread of dirt and germs

- Includes second sheet dispensed at 10% reduced length when activated within a few seconds of the first dispense
- Quiet dispensing system
- Quick-load capability
- Choice of key-activated spring lock or push-button operation
- 4 D-Cell Batteries included
- One per case

Product Codes:

**48858**

White,  
Purple Core

**48860**

Black,  
Purple Core

**Suggested mounting height is 48" from the floor or 12" above a counter to the bottom of the dispenser.**

**When installed properly and used with the corresponding product, this dispenser meets ADA Standard 28 CFR Part 36, local rules may vary.**