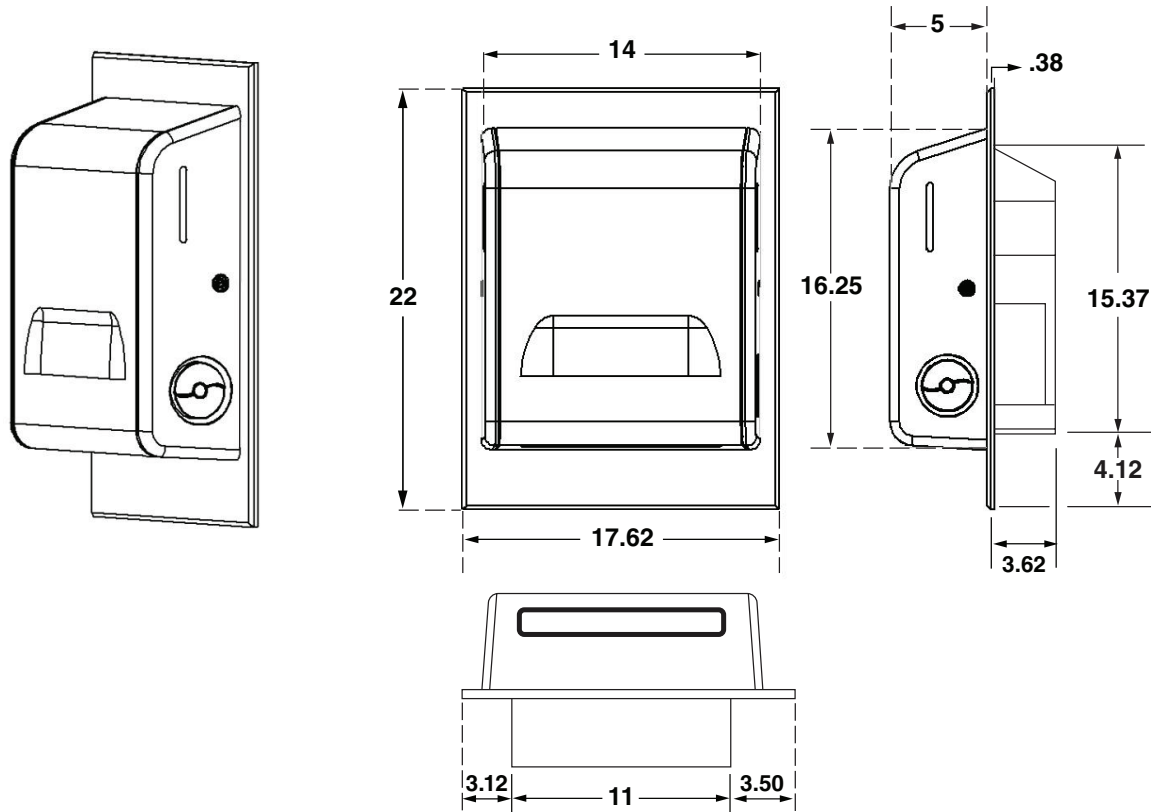


Scott® Pro Recessed Hard Roll Towel Dispenser Stainless Steel Housing with Trim Panel



- Dispenser housing is made from 304 brushed stainless steel.
- Has a key activated lock, or can be converted to push button with separately ordered accessory.
- For conversion of existing folded towel units or mounting over trash can units from other manufacturers.
- Holds one Scott® Pro electronic or manual module (ordered separately). See individual mechanical or electronic modules for specific functions and features.

Product Codes:

43823

Recessed Hard Roll
Towel Dispenser

Suggested mounting height is 48" from the floor or 12" above a counter to the bottom of the dispenser.*

When installed properly and used with corresponding product, this dispenser meets ADA Standard 28 CFR Part 36, local rules may vary.

Rough Wall Opening:

11 1/8" Wide
15 3/8" High
4" Minimum Depth