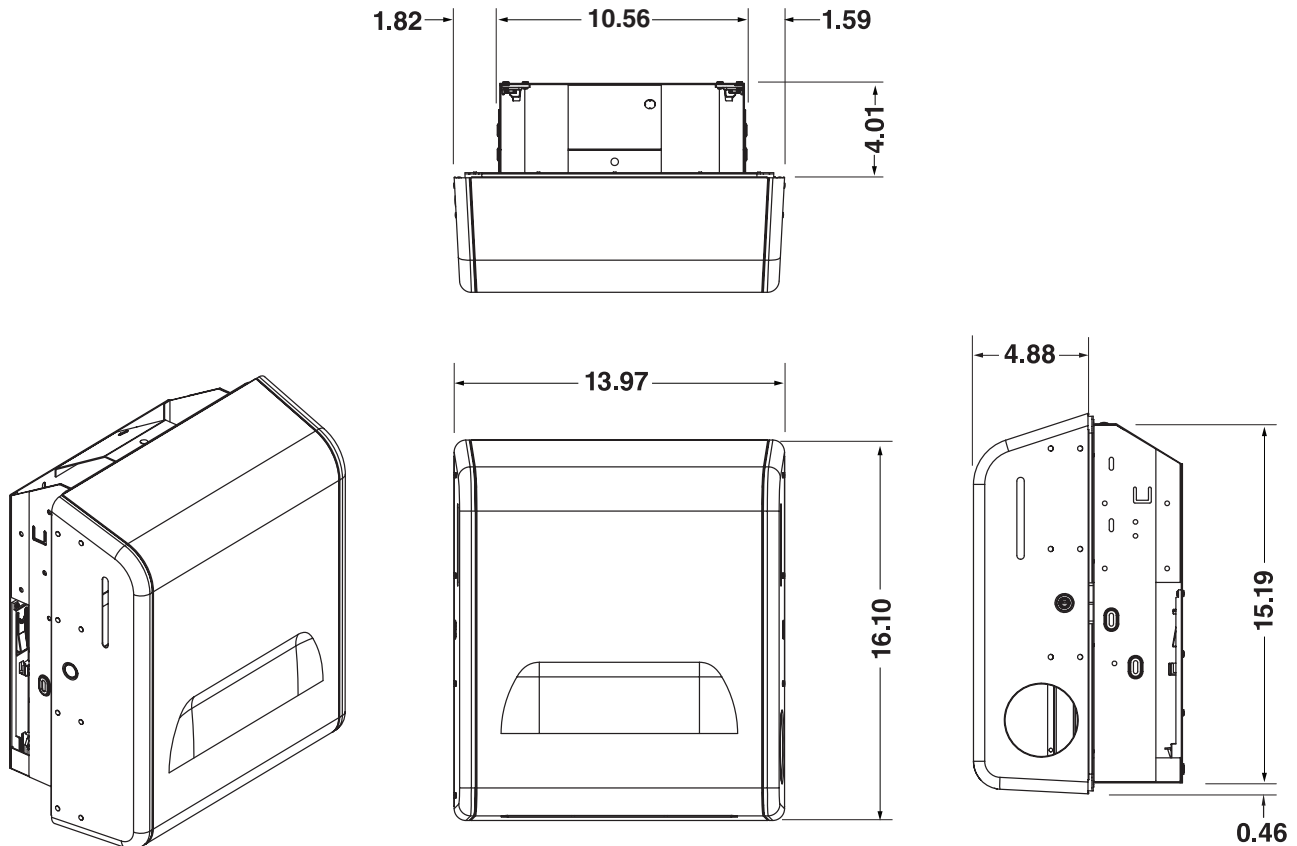


Scott® Pro Recessed Hard Roll Towel Dispenser Narrow Housing without Trim Panel



- Dispenser housing is made from 304 brushed stainless steel.
- Has a key activated lock, or can be converted to push button with separately ordered accessory.
- For conversion of competitor's stainless steel cabinet.
- Narrow housing allows the system to be installed between wall studs on 12" centers.
- Holds one Scott® Pro electronic module only (ordered separately). See individual electronic modules for specific functions and features.

Product Codes:

31498

Recessed Hard Roll
Towel Dispenser

Suggested mounting height is 48" from the floor or 12" above a counter to the bottom of the dispenser.*

When installed properly and used with corresponding product, this dispenser meets ADA Standard 28 CFR Part 36, local rules may vary.

Rough Wall Opening:

10 3/4" Wide

15 3/8" High

4" Minimum Depth