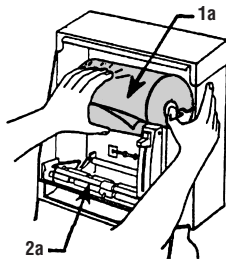


4.25 x 5.25"

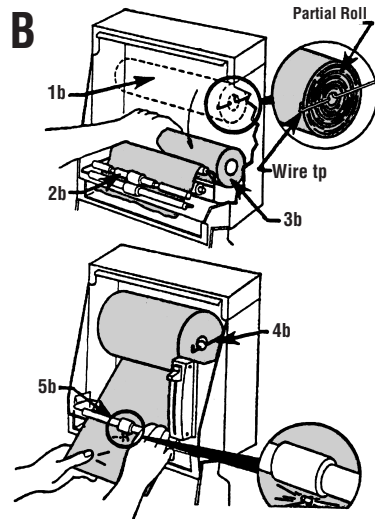
A



Loading Instructions For Empty Dispenser

- 1a.** Place new roll on towel holders.
- 2b.** Pull front plastic roller forward. Place end of towel behind front plastic roller.
- 3a.** Close door - dispense paper.

B



Loading Instructions For Partial Roll

(when roll diameter is inside wire tip)

- 1b.** Remove partial roll from towel holders without unthreading paper from rollers.
- 2b.** Pull front plastic roller forward.
- 3b.** Remove empty core if present. Drop partial roll in bottom of cabinet behind back plastic roller.
- 4b.** Place new roll on top towel holders.
- 5b.** Thread paper under front plastic roller and puncture on wire tip.
- 6b.** Close door - dispense paper.

6870915

AFH-257N

CAUTION: Ensure door is tightly closed