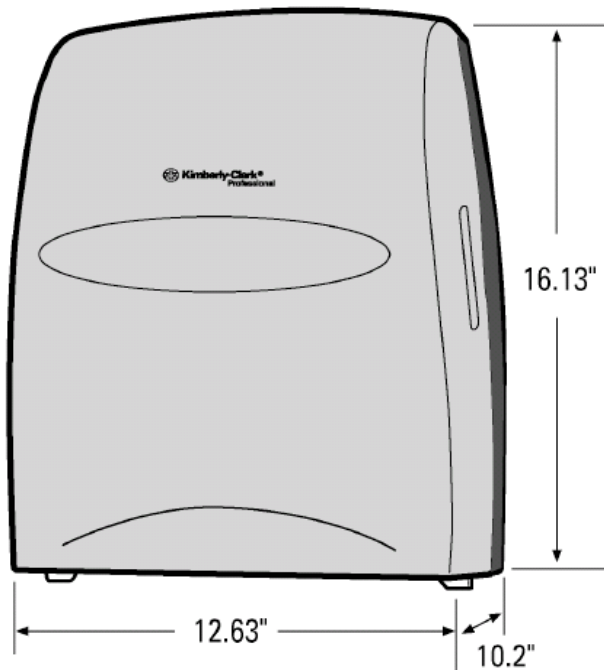


HAND TOWEL *Dispensers***09992****IN-SIGHT® Touch-Less Electronic HRT 1.75” Hub**

Made of high impact plastic with a smoked transparent cover and gray back. Dispenser automatically dispenses a single sheet of paper when users' hand is placed beneath dispenser. No-touch dispensing system helps reduce the spread of dirt and germs. Dispenses one 8" diameter roll with 1.75" core plus a stub roll. Features include adjustable sensitivity, sheet length and delay between sheets. Also incorporates a sleep mode to shut down unit when lights are out to conserve battery life. Choice of key activated spring latch or push button operation. Operates on four D size alkaline batteries or AC adapter. One per case. Suggested mounting height 52"

NOTE: Unless otherwise noted, suggested mounting height is the distance from the floor to the bottom of the dispenser.