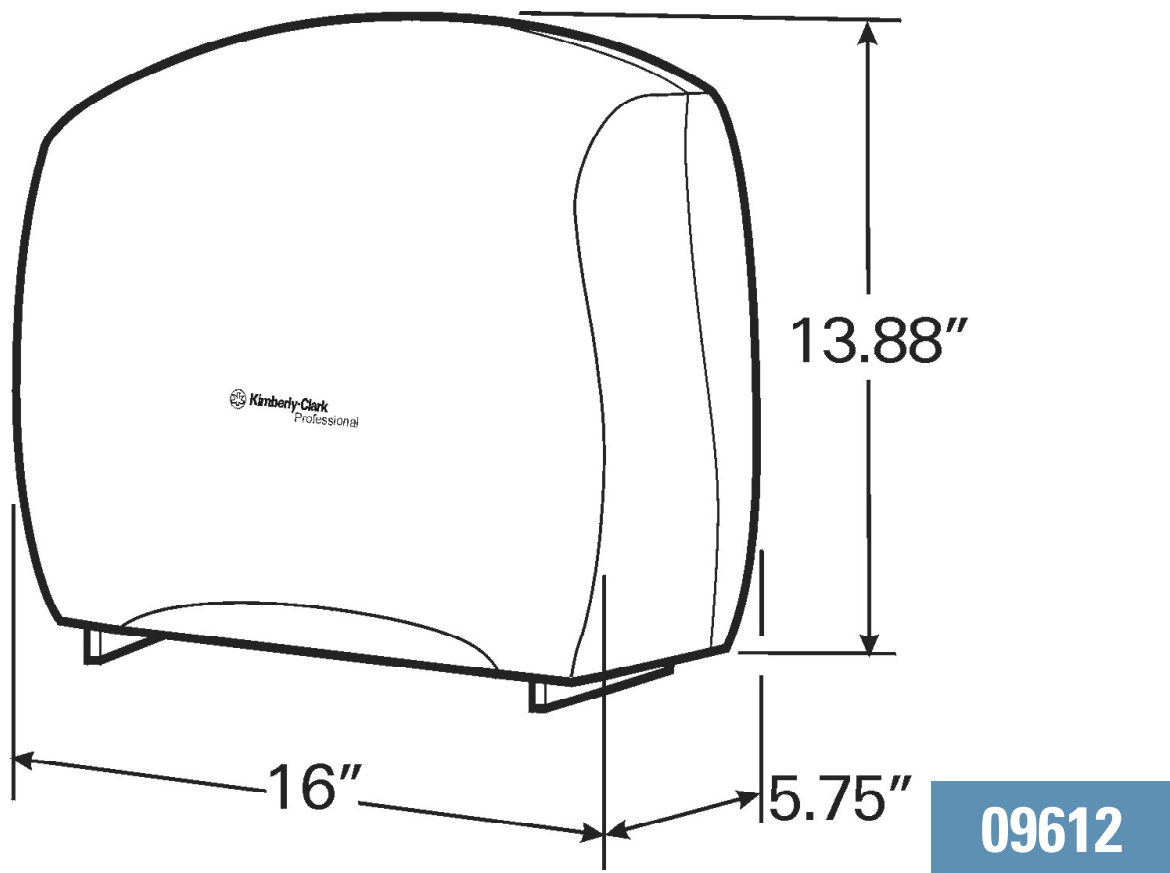


BATH TISSUE *Dispensers*



SERIES-I IN-SIGHT® JRT®

Dispenser made of durable plastic with a gray body and smoked transparent cover. Designed to dispense a 13" diameter x 3.8" wide tissue roll with 3.25" diameter core. Dispenser holds more than the equivalent, in length, of ten standard rolls of bath tissue. Dispenser is designed to minimize run-out, waste, and maintenance time. Features hinged front cover, push button for easy open or common key lock to reduce pilferage, and tear-off bars on side and front of dispenser opening.

Dispensers shipped one per case.

Suggested Mounting Height: 30"

NOTE: Unless otherwise noted, suggested mounting height is the distance from the floor to the bottom of the dispenser.