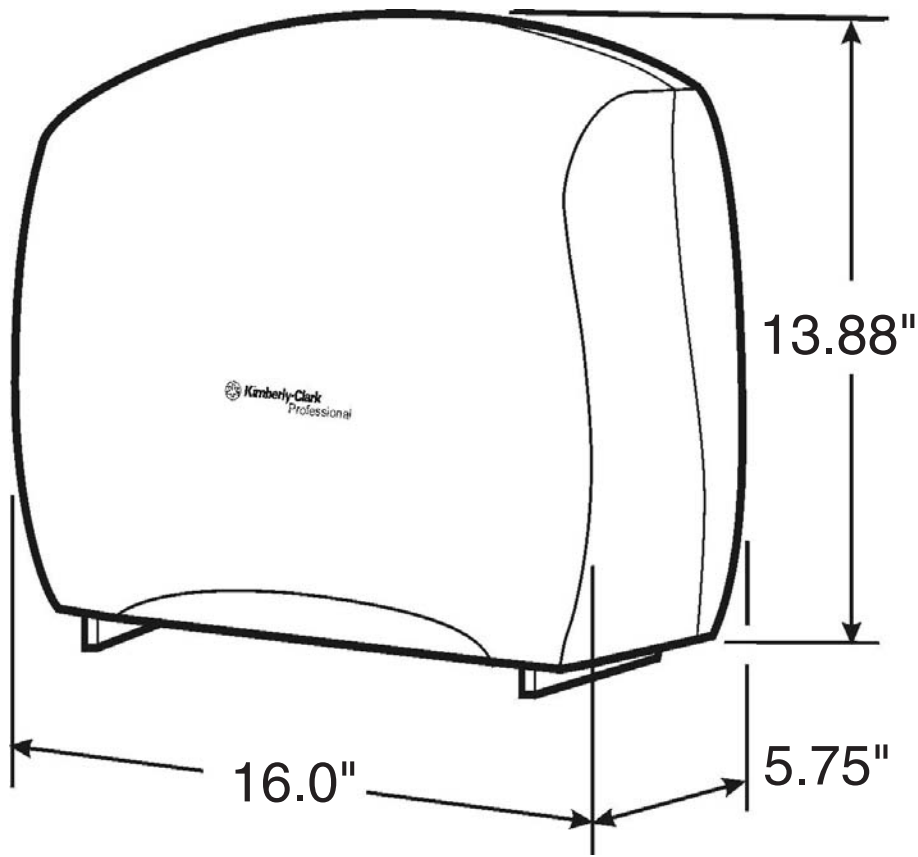


BATH TISSUE *Dispensers*



09507

SERIES-I IN-SIGHT® JRT® JR. ESCORT®

Dispenser made of durable plastic. Front cover includes provision for custom deco strip. Designed to dispense a 9.38" diameter x 3.8" wide tissue roll with 3.25" diameter core, plus stub roll. Dispenser holds more than the equivalent, in length, of five standard rolls of bath tissue. Features hinged front cover, push button for easy open or common key lock to reduce pilferage, and tear-off bars on side and front of dispenser opening. Dispensers shipped one per case. ***Suggested Mounting Height: 30"***

NOTE: Unless otherwise noted, suggested mounting height is the distance from the floor to the bottom of the dispenser.