



Making **ADA**  
More Accessible  
*Advanced dispensers. Compliance guidance.*





## Making our dispensers **accessible** to people with **disabilities**

We are proud to play a part in making ADA an everyday reality. Our advanced electronic and other touchless washroom dispensers give everyone **easy access to our hand hygiene and tissue system solutions.**

As with any detailed regulation, compliance with ADA Title III can be challenging. That's why we're providing suggestions for the installation of our dispensing systems so they meet ADA regulations.

This information represents our company's interpretation of the ADA regulations and should be used only as a guide. It's always advisable to review ADA regulations and check state or local codes for additional requirements.

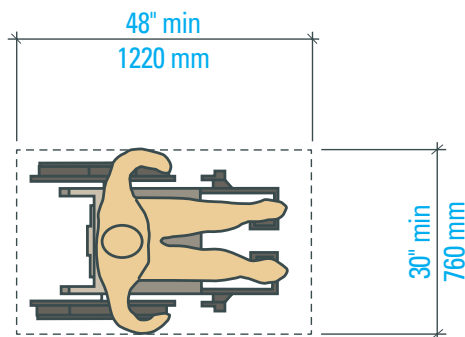
# Dispensing System Overview

## What You Need to Know

- A dispenser must be operable with one hand
- A dispenser's operable parts should not require tight grasping, pinching or twisting of the wrist and the force required to activate operable parts shall be 5 pounds maximum
- Dispensers that are greater than 4" in horizontal depth should not be installed in places where they may protrude into a circulation path (i.e., walks, hallways, courtyards, elevators, platform lifts, ramps, stairways, landings, etc.)
- Dispensers must be located to meet clear floor space and reach range requirements. *See pages 3-5 for more information.*

## Clear Floor Space or Ground Space

The minimum clear floor or ground space to accommodate a single stationary wheel chair shall be 30" minimum by 48" minimum. Changes in level are not permitted.

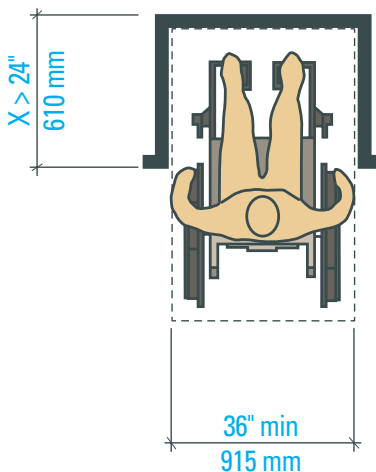


## Maneuvering Clearance in an Alcove

The dispenser may be positioned for either a forward or parallel approach.

### Forward Approach

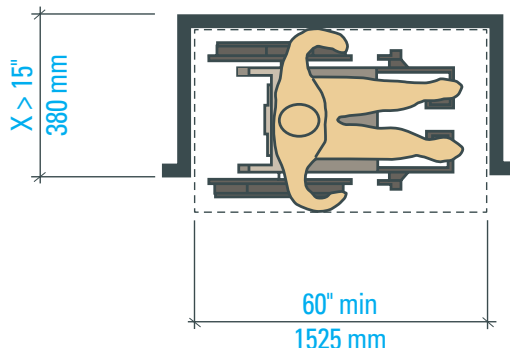
The dispenser may be positioned for either a forward or parallel approach. If a forward-approached clear floor space extends more than 24" into an alcove,



extends more than 24" into an alcove, the minimum alcove width is 36".

### Parallel Approach

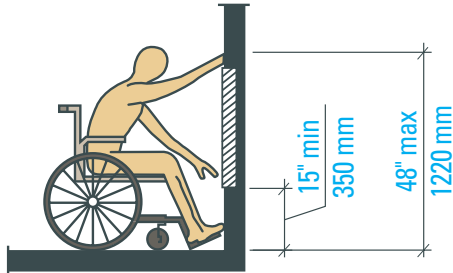
If a parallel-approached clear floor space extends more than 15" into an alcove, the minimum alcove length is 60".



# Reach Range

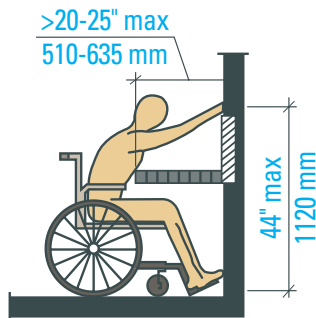
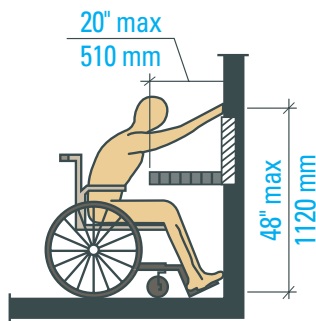
Reach range refers to the vertical distance from the floor.

If the clear floor space permits only a forward approach by a person in a wheelchair, then the maximum high forward reach is 48". The minimum low forward reach is 15".



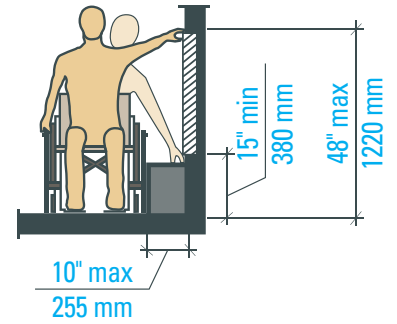
## Obstructed High Forward Reach

If the high side reach in a forward approach is over an obstruction, the high forward reach is 48" maximum where the reach depth is 20" maximum. For reach depths of 20-25", the high forward reach is 44" maximum.



## Unobstructed Side Reach

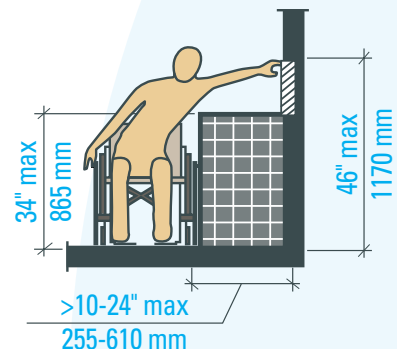
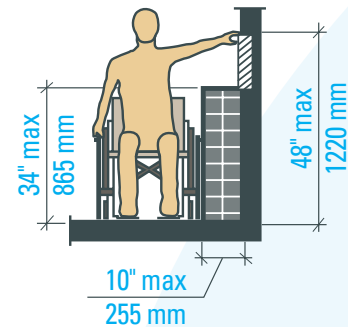
If the clear floor space permits a parallel approach by a person in a wheelchair, the maximum high side reach is 48". The



minimum low side reach is 15". An obstruction of 10" maximum is permitted as an exception.

## Obstructed High Side Reach

Where a clear floor space allows a parallel approach and the high side reach is over an obstruction, the height of the obstruction is 34" maximum and the depth of the obstruction is 24" maximum. The high side reach is 48" maximum for a reach depth of 10" maximum. Where the reach depth exceeds 10", the high side reach is 46" maximum for a reach depth of 24" maximum.

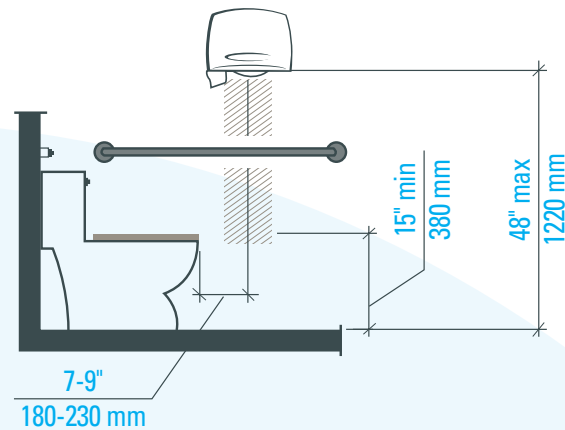


# A Closer Look at Bathroom Stalls and Tissue Dispensing Systems



## Dispenser Outlet Location

The outlet of the bath tissue dispenser shall be located 15" minimum and 48" maximum above the finish floor. The top of the bath tissue dispensers cannot be located within 1.5" below the grab bar rail, to allow ample hand and finger grip. Similarly, the outlet of the dispensing unit cannot be located greater than 12" above the grab bar. For example, the outlet of a dispenser installed above a 36" grab bar must be installed at exactly 48".



36" Grab Bar Example

- At least one accessible stall must be provided.
- In restrooms where there are six or more stalls and/or urinals, a second accessible stall for ambulatory people with disabilities is needed for a minimum total of seven stalls and/or urinals.
- Bath tissue dispensers, or those that do not permit continuous paper flow, must not be used.
- Booth tissue dispensers are to be installed on the near side wall within 7-9" in front of the water closet measured to the centerline of the dispenser.
- Grab bars are to be mounted 33-36" above the floor. One 42" side wall grab bar and one rear wall grab bar are required.

**THE**  
**Healthy**  
**WORKPLACE**  
**PROJECT**

[www.healthyworkplaceproject.com](http://www.healthyworkplaceproject.com)



# Choose Your Dispenser

KIMBERLY-CLARK PROFESSIONAL<sup>®</sup> has always been the leader in designing innovative washroom systems. Today, we offer advanced touchless hygienic systems that make it easier than ever to comply with ADA regulations.

Our innovative KLEENEX<sup>®</sup> SLIMFOLD<sup>®</sup> Folded Towel System helps you meet protruding dispenser requirements by providing touchless access to folded towels in a dispenser that is only 14" high and 2.75" deep. And our Electronic Cassette Skin Care Dispenser is designed to comply with 4" requirements for hallways.



## Stainless Steel and Metallic Dispensers

Code	Description	Finish	Dimensions (W x H x D)		Case Count	Fits Products
<b>Roll Towel Dispensers</b>						
09998 <sup>1</sup>	Electronic Touchless Roll Towel Recessed Dispenser <i>Includes Module (1.75" / 4.4cm hub)</i>	Stainless Steel	13.3" x 16.6" x 5.1"	33.8cm x 42.2cm x 13.0cm	1	02000, 50500, 50606
13567 <sup>1</sup>	SLIMROLL <sup>®</sup> Hard Roll Towel Dispenser	Brushed Metallic	12" x 12.5" x 7"	30.5cm x 31.8cm x 17.8cm	1	12388
<b>Folded Towel Dispensers</b>						
09116 <sup>1</sup>	SCOTTFOLD <sup>®</sup> Folded Towel Dispenser	Stainless Steel	10.6" x 15.6" x 4.4"	26.9cm x 39.6cm x 11.2cm	1	01960, 12366, 13253
09216 <sup>1</sup>	SCOTTFOLD <sup>®</sup> Compact Towel Dispenser	Stainless Steel	10.6" x 8.9" x 4.4"	26.9cm x 22.6cm x 11.2cm	1	01960, 13253
<b>Skin Care Dispensers</b>						
11329 <sup>1,2</sup>	Electronic Cassette Skin Care Dispenser (1,200 mL)	Brushed Metallic	7.25" x 11.48" x 4.0"	18.4cm x 29.15cm x 10.16cm	1	91590, 91591, 91592, 91594 91595, 91600, 11430
11331 <sup>1</sup>	KLEENEX <sup>®</sup> Counter Mount Skin Care Dispenser (1.5 Liter)	Polished Chrome	5.5" x 11.25" x 2.13"	13.9cm x 28.6cm x 5.4cm	1	11279, 11280, 11285
<b>Bath Tissue Dispensers</b>						
09619 <sup>1,3</sup>	Electronic Touchless Coreless JRT Dispenser	Stainless Steel	12.64" x 12.97" x 6.81"	32.1cm x 32.9cm x 17.2cm	1	07007
09601 <sup>1,3</sup>	Coreless JRT Bath Tissue Dispenser	Stainless Steel	14.3" x 9.8" x 6.0"	36.3cm x 24.9cm x 15.2cm	1	07005, 07006, 07007
09606 <sup>1</sup>	Coreless Double Roll Bath Tissue Dispenser	Stainless Steel	10.1" x 7.1" x 6.4"	25.7cm x 18.0cm x 16.3cm	1	04007, 07001

## WINDOWS<sup>®</sup> Dispensers

Code	Description	Finish	Dimensions (W x H x D)		Case Count	Fits Products
<b>Roll Towel Dispensers</b>						
10442 <sup>1</sup>	SLIMROLL <sup>®</sup> Hard Roll Towel Dispenser	White	12.0" x 12.5" x 7.0"	30.48cm x 31.75cm x 17.78cm	1	12388
09993 <sup>1</sup>	Electronic Touchless Roll Towel Dispenser <i>Includes Module (1.75" / 4.4cm hub)</i>	Pearl White	12.6" x 16.1" x 10.2"	32.0cm x 40.8cm x 25.9cm	1	02000, 50500, 50606
09766 <sup>1</sup>	LEV-R-MATIC <sup>®</sup> Roll Towel Dispenser (1.5" / 3.8cm hub)	Pearl White	13.3" x 13.5" x 10"	33.7cm x 34.2cm x 25.4cm	1	01000, 01005, 01040, 01052, 01080 02021, 02031, 02068, 04142, 11090
09768 <sup>1</sup>	LEV-R-MATIC <sup>®</sup> Roll Towel Dispenser (1.75" / 4.4cm hub)	Pearl White	13.3" x 13.5" x 10"	33.7cm x 34.2cm x 25.4cm	1	02000, 50500, 50606
09337 <sup>1</sup>	Roll Control Center-Pull Towel Dispenser	Pearl White	10.3" x 11.8" x 9.2"	26.1cm x 29.9cm x 23.3cm	1	01032

<sup>1</sup> When installed properly, these dispensers meet the ADA Standards for Accessible Design, 28 CFR Part 36 (1994), local rules may vary.

<sup>2</sup> Dispensers meet the 4" protrusion rule if you need to install a dispensing system into a circulation path.

<sup>3</sup> Consider mounting high capacity JRT SR. and JR. dispensers above grab bars, in accordance with the 15" to 48" reach range guideline.



\* These dispensers now available with MICROBAN<sup>®</sup> technology that provides built-in antimicrobial protection against most common stain and odor-causing bacteria.

## WINDOWS\* Dispensers (Continued)

Code	Description	Finish	Dimensions (W x H x D)		Case Count	Fits Products
<b>Folded Towel Dispensers</b>						
06904 <sup>1,2</sup>	<b>SLIMFOLD* Folded Towel Dispenser</b>	White	8.86" x 14.33" x 2.75"	22.5cm x 36.39cm x 6.98cm	1	04442
09904 <sup>1</sup>	<b>SCOTTFOLD* Folded Towel Dispenser</b> (8.1" / 20.5cm towel)	Pearl White	13.3" x 18.9" x 5.9"	33.8cm x 48.0cm x 15.0cm	1	01960, 13253
09906 <sup>1</sup>	<b>Universal Folded Towel Dispenser</b> (9.4" / 23.9cm towel)	Pearl White	13.3" x 18.9" x 5.9"	33.8cm x 48.0cm x 15.0cm	2	01500, 01510, 01801, 01804, 01807 01890, 01980, 02046, 13254
09214 <sup>1</sup>	<b>SCOTTFOLD* Compact Towel Dispenser</b> (8.1" / 20.5cm towel)	Pearl White	10.75" x 9.0" x 4.5"	27.3cm x 22.9cm x 11.4cm	1	01960, 13253
09217 <sup>1</sup>	<b>SCOTTFOLD* Compact Towel Dispenser</b>	Pearl White	10.75" x 9.0" x 4.5"	27.3cm x 22.9cm x 11.4cm	1	01980, 13254
<b>Skin Care Dispensers</b>						
92147 <sup>1,2</sup>	<b>Electronic Cassette Skin Care Dispenser</b> (1,200 mL)	White	7.25" x 11.48" x 4.0"	18.4cm x 29.15cm x 10.16cm	1	91590, 91591, 91592, 91594, 91595 91600, 11430
92144 <sup>1</sup>	<b>Cassette Skin Care Dispenser</b> (1,000 mL)	White	5.0" x 8.375" x 5.25"	12.8cm x 21.2cm x 13.4cm	1	91552, 91553, 91554, 91555, 91556 91557, 91559, 91560, 91562, 91565
91182 <sup>1</sup>	<b>OnePak Skin Care Dispenser</b> (800 mL)	Pearl White	6.1" x 10.4" x 4.9"	15.5cm x 26.4cm x 12.4cm	1	91211, 91220, 91241, 91248, 91298 91319, 91320, 91546, 91547, 92132 92517, 92519, 92538, 92542, 92582 93036, 93044
92192 <sup>1</sup>	<b>Mini 500 Skin Care Dispenser</b> (500 mL)	White	4.9" x 7" x 4.9"	12.5cm x 17.78cm x 12.5cm	1	92053, 92132, 92517, 92519, 92538 92542, 92582, 93036, 93044
<b>Bath Tissue Dispensers</b>						
09617 <sup>1,3</sup>	<b>Electronic Touchless JRT Coreless Dispenser</b>	White	12.64" x 12.97" x 6.81"	32.1cm x 32.9cm x 17.3cm	1	07007
09603 <sup>1,3</sup> ❖	<b>Coreless JRT Bath Tissue Dispenser</b>	Pearl White	14.3" x 9.8" x 6.0"	36.3cm x 24.9cm x 15.2cm	1	07005, 07006, 07007
09605 <sup>1</sup> ❖	<b>Coreless Double Roll Bath Tissue Dispenser</b>	Pearl White	11.1" x 7.6" x 6.0"	28.2cm x 19.3cm x 15.24cm	1	04007, 07001
09508 <sup>1,3</sup>	<b>JRT Jr. Escort* Jumbo Roll Bath Tissue Dispenser</b> w/Stub Roll	Pearl White	14.0" x 16.0" x 5.8"	35.6cm x 40.7cm x 14.7cm	1	02129, 03148, 07304, 07805 67223, 67805
09553 <sup>1,3</sup>	<b>JRT Jumbo Roll Bath Tissue Dispenser</b>	Pearl White	10.6" x 10.8" x 5.5"	26.9cm x 27.4cm x 14.0cm	1	02129, 03148, 07304, 07805 67223, 67805

## IN-SIGHT\* Dispensers

Code	Description	Finish	Dimensions (W x H x D)		Case Count	Fits Products
<b>Roll Towel Dispensers</b>						
10441 <sup>1</sup>	<b>SLIMROLL* Hard Roll Towel Dispenser</b>	Smoke/Grey	12.0" x 12.5" x 7.0"	30.48cm x 31.75cm x 17.78cm	1	12388
09992 <sup>1</sup>	<b>Electronic Touchless Roll Towel Dispenser</b> <i>Includes Module</i> (1.75" / 4.4cm hub)	Smoke/Grey	12.6" x 16.1" x 10.2"	32.0cm x 40.8cm x 25.9cm	1	02000, 50500, 50606
09803 <sup>1</sup>	<b>Electronic Touchless Roll Towel Dispenser</b> (1.75" / 4.4cm hub)	Smoke/Grey	12.27" x 15.2" x 9.47"	31.1cm x 38.6cm x 24.0cm	1	02000, 50500, 50606
09765 <sup>1</sup>	<b>LEV-R-MATIC* Roll Towel Dispenser</b> (1.5" / 3.8cm hub)	Smoke/Grey	13.3" x 13.5" x 10.0"	33.7cm x 34.2cm x 25.4cm	1	01000, 01005, 01040, 01080, 01052 02021, 02031, 02068, 04142, 11090
09767 <sup>1</sup> ❖	<b>LEV-R-MATIC* Roll Towel Dispenser</b> (1.75" / 4.4cm hub)	Smoke/Grey	12.0" x 12.5" x 7.0"	30.5cm x 31.8cm x 17.8cm	1	02000, 50500, 50606
09989 <sup>1</sup>	<b>Roll Control Center-Pull Towel Dispenser</b>	Smoke/Grey	10.3" x 11.8" x 9.2"	26.1cm x 29.9cm x 23.3cm	1	01032
09730 <sup>1</sup>	<b>Push Roll Towel Dispenser</b> (1.5" / 3.8cm hub)	Smoke/Grey	13.25" x 16.125" x 10.0"	33.6cm x 40.9cm x 25.4cm	1	01000, 01005, 01040, 01052, 01080 02021, 02031, 02068, 04142, 11090
09746 <sup>1</sup>	<b>Omni Roll Towel Dispenser</b>	Smoke/Grey	10.5" x 10.0" x 10.0"	26.7cm x 25.4cm x 25.4cm	1	01000, 01005, 01040, 01052, 01080 02021, 02031, 02068, 04142, 11090
09736 <sup>1</sup>	<b>LEV-R-MATIC* Roll Towel Dispenser</b>	Smoke/Grey	12.0" x 15.0" x 10.5"	30.5cm x 38.1cm x 26.7cm	1	01000, 01005, 01040, 01052, 01080 02021, 02031, 02068, 04142, 11090
09335 <sup>1</sup>	<b>Sr. Center-Pull Towel Dispenser</b>	Smoke/Grey	10.0" x 12.5" x 10.65"	25.4cm x 31.8cm x 27.1cm	1	01010, 01051, 01320
<b>Folded Towel Dispensers</b>						
09903 <sup>1</sup>	<b>SCOTTFOLD* Folded Towel Dispenser</b> (fits 13253 and 01960 8.1" / 20.5cm towel)	Smoke/Grey	13.3" x 18.9" x 5.9"	33.8cm x 48.0cm x 15.0cm	1	01960, 13253
09905 <sup>1</sup>	<b>Universal Folded Towel Dispenser</b> (fits 13254 and 01980 9.4" / 23.9cm towel)	Smoke/Grey	13.3" x 18.9" x 5.9"	33.8cm x 48.0cm x 15.0cm	1	01500, 01510, 01804, 01807, 01840 01890, 01980, 02046, 02920, 13254
09215 <sup>1</sup>	<b>SCOTTFOLD* Compact Towel Dispenser</b> (fits 13253 and 01960 8.1" / 20.5cm towel)	Smoke/Grey	10.9" x 9.0" x 4.8"	27.7cm x 22.9cm x 12.2cm	1	01960, 13253



## IN-SIGHT\* Dispensers (Continued)

Code	Description	Finish	Dimensions (W x H x D)		Case Count	Fits Products
<b>Skin Care Dispensers</b>						
92148 <sup>1,2</sup>	<b>Electronic Cassette Skin Care Dispenser</b> (1,200 mL)	White	7.25" x 11.48" x 4.0"	18.4cm x 29.15cm x 10.16cm	1	91590, 91591, 91592, 91594 91595, 91600, 11430
92145 <sup>1</sup>	<b>Cassette Skin Care Dispenser</b> (1,000 mL)	Black/Grey	5.0" x 8.375" x 5.25"	12.8cm x 21.2cm x 13.4cm	1	91552, 91553, 91554, 91555, 91556, 91557 91559, 91560, 91562, 91565
91180 <sup>1</sup>	<b>OnePak Skin Care Dispenser</b> (800 mL)	Smoke/Grey	6.1" x 10.4" x 4.9"	15.5cm x 26.4cm x 12.4cm	1	91211, 91220, 91241, 91248, 91298, 91319 91320, 91546, 91547, 92132, 92517, 92519 92538, 92542, 92582, 93036, 93044
92190 <sup>1</sup>	<b>Mini 500 Skin Care Dispenser</b> (500 mL)	Smoke/Grey	4.9" x 7.6" x 4.9"	12.5cm x 19.3cm x 12.5cm	1	92053, 92132, 92517, 92519, 92538, 92542 92582, 93036, 93044
<b>Bath Tissue Dispensers</b>						
09021 <sup>1</sup>	<b>Double Roll Tissue Dispenser</b>	Smoke/Grey	6.0" x 13.75" x 6.75"	15.2cm x 34.9cm x 17.1cm	1	04007, 04460, 05102, 07001, 12456, 13135 17713, 48040, 48070, 54080, 88336, 64460
09618 <sup>1,3</sup>	<b>Electronic Touchless Coreless JRT Dispenser</b>	Smoke/Grey	12.64" x 12.97" x 6.81"	32.1cm x 32.9cm x 17.2cm	1	07007
09604 <sup>1,3</sup> ❖	<b>Coreless Double Roll Bath Tissue Dispenser</b>	Smoke/Grey	11.1" x 7.6" x 6.0"	28.2cm x 19.3cm x 15.24cm	1	04007, 07001
09507 <sup>1,3</sup>	<b>JRT Jr. Escort* Jumbo Roll Bath Tissue Dispenser w/Stub Roll</b>	Smoke/Grey	14.0" x 16.0" x 5.8"	35.6cm x 40.7cm x 14.7cm	1	02129, 03148, 07223, 07304 07805, 67223, 67805
09612 <sup>1,3</sup>	<b>JRT Jumbo Roll Bath Tissue Dispenser</b>	Smoke/Grey	14.0" x 16.0" x 5.8"	35.6cm x 40.7cm x 14.7cm	1	07202, 07827
09554 <sup>1,3</sup>	<b>JRT Jr. Bath Tissue Dispenser</b>	Pearl White	10.6" x 10.8" x 5.5"	26.9cm x 27.4cm x 14.0cm	1	02129, 03148, 07223, 07304 07805, 67223, 67805
09602 <sup>1,3</sup> ❖	<b>Coreless JRT Bath Tissue Dispenser</b>	Smoke/Grey	14.3" x 9.8" x 6.0"	36.3cm x 19.3cm x 15.2cm	1	07005, 07006, 07007

## D-2 Dispensers

Code	Description	Finish	Dimensions (W x H x D)		Case Count	Fits Products
09073 <sup>1</sup>	<b>D-2 Hard Roll Towel Dispenser</b>	Smoke/Putty	16.0" x 17.4" x 9.7"	40.6cm x 44.2cm x 24.6cm	1	01000, 01005, 01040, 01080, 02021, 02031 04142, 02068, 01052, 11090
09070 <sup>1</sup>	<b>D-2 Skin Care Dispenser</b>	Smoke/Putty	8.2" x 9.5" x 3.7"	20.8cm x 24.1cm x 9.4cm	1	92053, 92132, 92538, 92542, 93036, 93044
09067 <sup>1,3</sup>	<b>D-2 JRT Jr. Jumbo Bath Tissue Dispenser</b>	Smoke/Putty	14.6" x 15.0" x 5.5"	37.1cm x 38.1cm x 14.0cm	1	02129, 07223, 07304, 07805, 67223
09078 <sup>1,3</sup>	<b>D-2 JRT Jr. Bath Tissue Dispenser w/Stub Roll</b>	Smoke/Putty	20.0" x 13.1" x 6.0"	50.8cm x 33.3cm x 15.2cm	1	02129, 07223, 07304, 07805, 67223

<sup>1</sup> When installed properly, these dispensers meet the ADA Standards for Accessible Design, 28 CFR Part 36 (1994), local rules may vary.

<sup>2</sup> Dispensers meet the 4" protrusion rule if you need to install a dispensing system into a circulation path.

<sup>3</sup> Consider mounting high capacity JRT SR. and JR. dispensers above grab bars, in accordance with the 15" to 48" reach range guideline.



❖ These dispensers now available with MICROBAN® technology that provides built-in antimicrobial protection against most common stain and odor-causing bacteria.

## Our Guarantee

Your total satisfaction means everything to us. If, for any reason, our products do not meet your expectations, Kimberly-Clark will reimburse you† for your initial purchase, via FREE product, for up to \$1,000. For more information on KIMBERLY-CLARK PROFESSIONAL\*, visit us online at [www.kcprofessional.com](http://www.kcprofessional.com), contact your Kimberly-Clark Sales Representative, or call us at 1-888-346-GOKC (4652).

† Guarantee extended to consuming end-user accounts only.

Kimberly-Clark warrants that its products comply with K-C's standard specifications as of the delivery date to K-C's authorized distributors/direct purchasers. Except to the extent prohibited by applicable law: 1) **THIS WARRANTY IS IN LIEU OF ALL OTHER WARRANTIES, EXPRESS OR IMPLIED, INCLUDING ANY WARRANTY OF MERCHANTABILITY OR FITNESS FOR A PARTICULAR PURPOSE**; 2) K-C is not liable for any kind of special, incidental, or consequential damages; and 3) K-C's liability for breach of contract, tort, or other cause of action shall not exceed the product purchase price. Purchasers and users are deemed to have accepted the above warranty and limitation of liability, and cannot change the terms by verbal agreement or by any writing not signed by K-C. To the extent required by applicable law, K-C does not limit its liability for death/injury resulting from K-C's negligence.

®/™ Trademarks of Kimberly-Clark Worldwide, Inc. or its affiliates. Marques déposées de Kimberly-Clark Worldwide, Inc. ou de ses filiales.

© 2011 KCWW. Kimberly-Clark Professional has the exclusive rights of MICROBAN® antimicrobial in dispensers.

MICROBAN® is a registered trademark of Microban Products Company. Printed in the USA. K02236 K0002-11-01 03/11

Effective March 2011